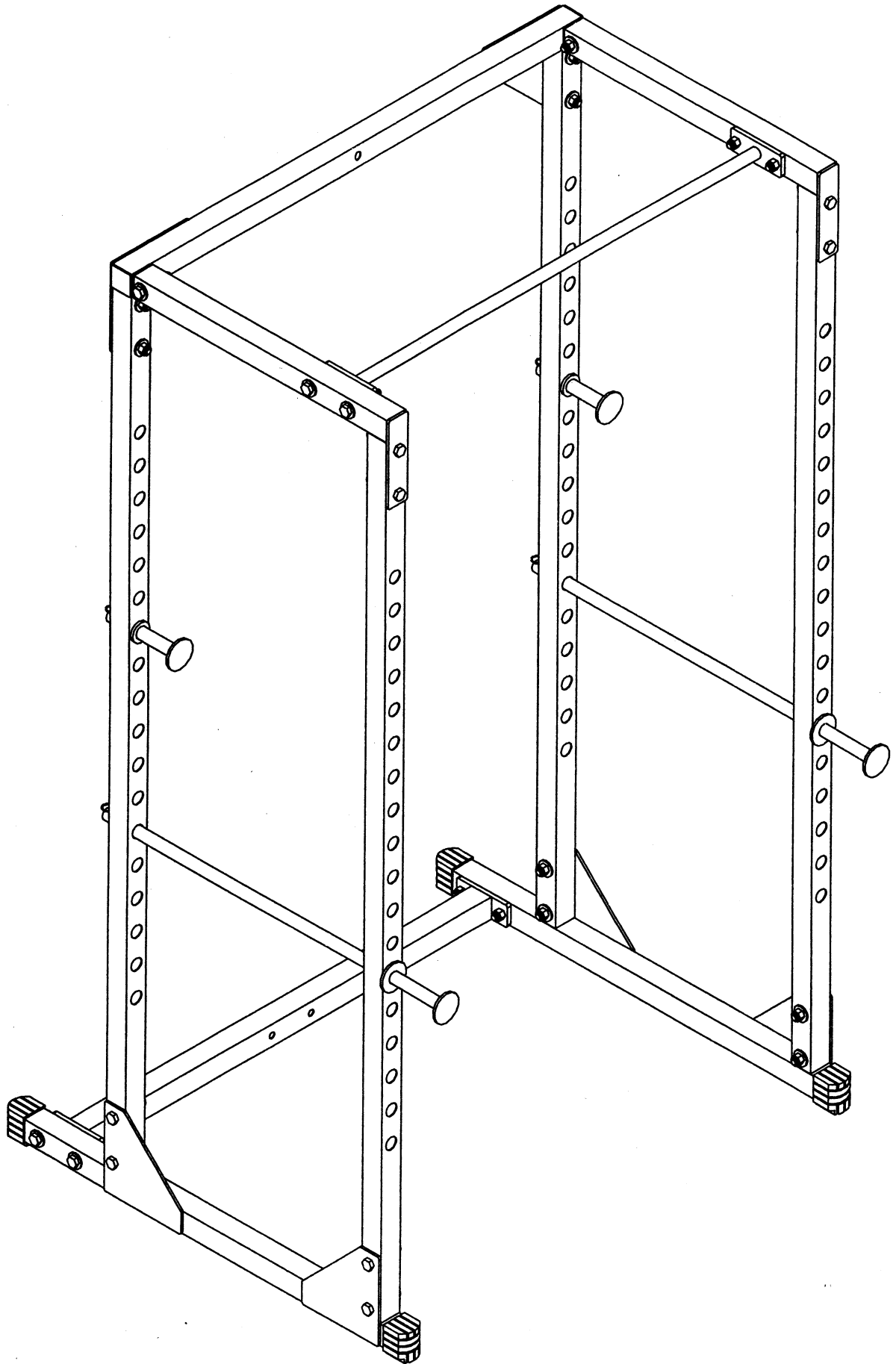


PPR-200



VERSION 0506

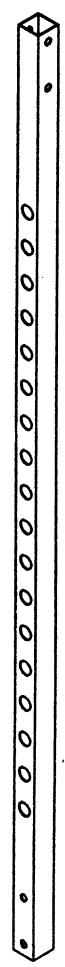
HARDWARE ILLUSTRATION SHEET

PARTS ILLUSTRATION SHEET

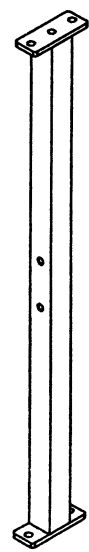
- Qty.
- A1. M10X75 HEX HEAD BOLT [4PCS]
 - A2. M10X70 HEX HEAD BOLT [20PCS]
 - A3. M10X65 HEX HEAD BOLT [2PCS]
 - B1. M10 NYLON LOCK NUT [26PCS]
 - C1. M10 (I.D) WASHER [28PCS]
 - D1. Ø10X35mm PIN (8250-014) [4PCS]
 - D2. 2"X2" FOOT CAP (9212-003) [4PCS]
 - D3. 2"X2" END CAP (9211-005) [2PCS]



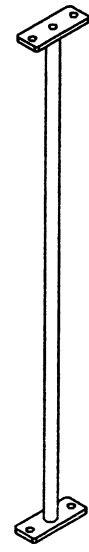
A [4PCS]



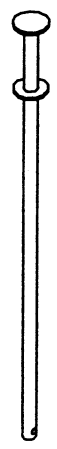
B [1PCS]



C [1PCS]



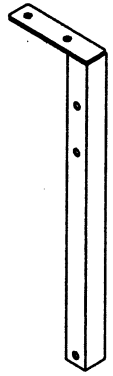
D [2PCS]



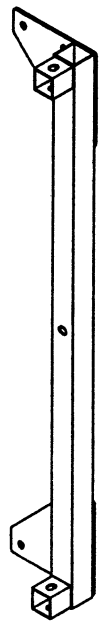
E [2PCS]



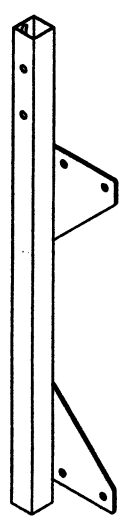
F [2PCS]



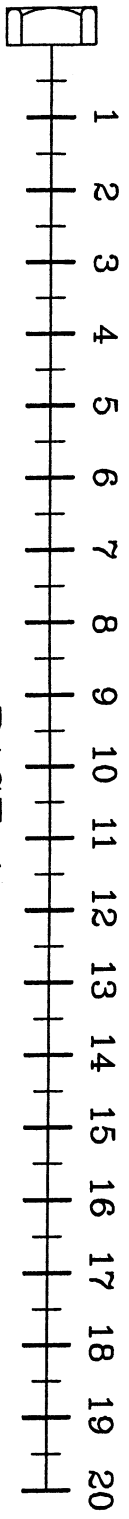
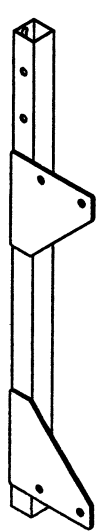
G [1PCS]



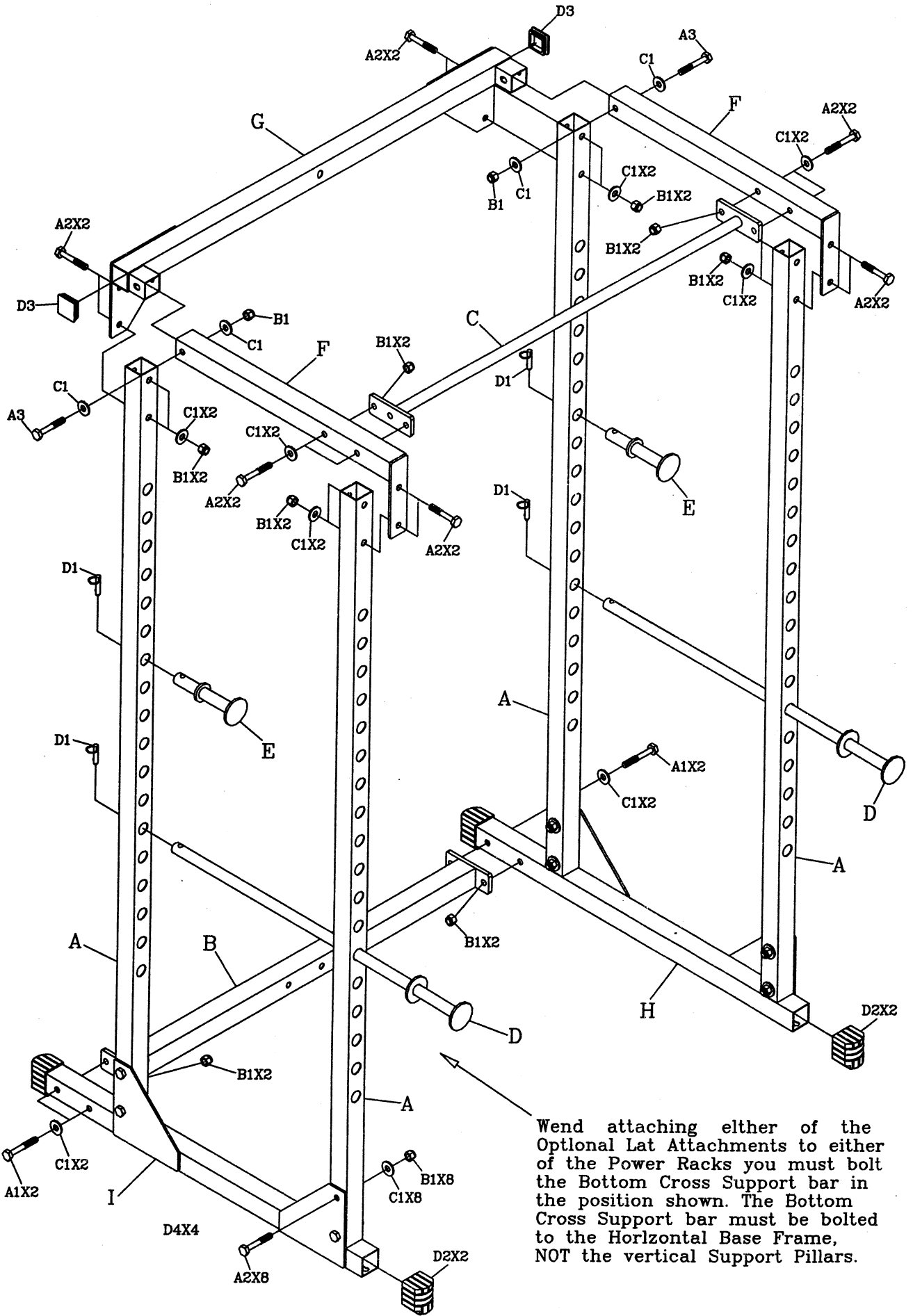
H [1PCS]



I [1PCS]



PPR-200



Wend attaching either of the Optional Lat Attachments to either of the Power Racks you must bolt the Bottom Cross Support bar in the position shown. The Bottom Cross Support bar must be bolted to the Horizontal Base Frame, NOT the vertical Support Pillars.